



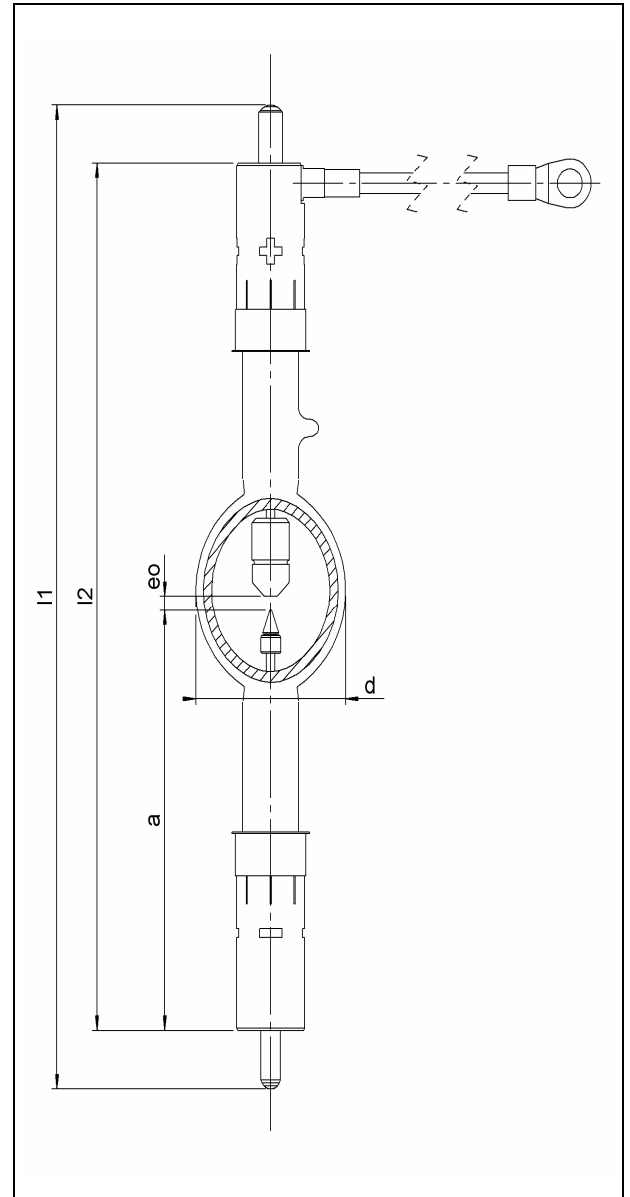
XBO[®] 3000 W/HS CL OFR

■ Product description

The OSRAM XBO[®] 3000 W/HS CL OFR is a DC-operated lamp that is especially suited for applications requiring excellent arc stability and a high luminance. The CL lamps, which stands for Classic Line, combines the classical Osram features with an optimization on bulb pricing and has the same warranty as the regular standard lamps.

■ Technical data

Order reference	XBO [®] 3000 W/HS CL OFR	
Rated lamp wattage	W	3000
Rated lamp voltage	V	29
Rated lamp current (DC)	A	100
Current control range	A	60 - 110
Ignition voltage	kV _P	36
Min. open circuit voltage for cold / hot ignition	V	85 / 110
Luminous flux	lm	130000
Luminous intensity	cd	12000
Average luminance	cd/cm ²	90000
Luminous area w x h *)	mm	1.7 x 5.0
Electrode gap e (cold)	mm	6
Lamp length (overall) I ₁	mm	max. 342
Lamp length I ₂	mm	max. 302
LCL a	mm	145
Bulb diameter d	mm	55
Warranty	h	1500
Base	Cathode	SFa 27-7,9
	Anode	SFaX 27-9,5



*) w = luminance half width value; h = height of luminous area (corresponds to electrode gap, hot)

■ Lamp operation

Maximum permissible base temperature	230°C
Cooling	forced cooling / fan
Min. air flow velocity around discharge vessel	6 m/s
Magnetic arc stabilization	necessary for horizontal operation

Technical Information

No. 5545

Edition: 01/07

Substitutes: new

Status: valid

Operating position

Xenon Short Arc Lamp

XBO[®] 3000 W/HS CL OFR

s 30 (vertical $\pm 30^\circ$; anode up) ; p 30 (horizontal $\pm 30^\circ$)